

5200# 美國白馬穩速器 DESCHNER KINECHEK SPEED REGULATOR

- 美國白馬Slimline系列液壓穩速器產品提供了12.7mm, 25.4mm, 50.8mm與76.2mm行程，最高支援5450N推力。KINECHEK專利的雙層起伏式密封膠囊設計，已通過1,000萬次使用的耐久測試，保證不會漏油。
- The SLIMLINE KINECHEK speed regulator available in stroke lengths of 12.7mm, 25.4mm, 50.8mm and 76.2mm; all with a 5450 N maximum capacity. KINECHEK rolling diaphragm seals successfully withstand endurance tests of 10,000,000 cycles without leaking.



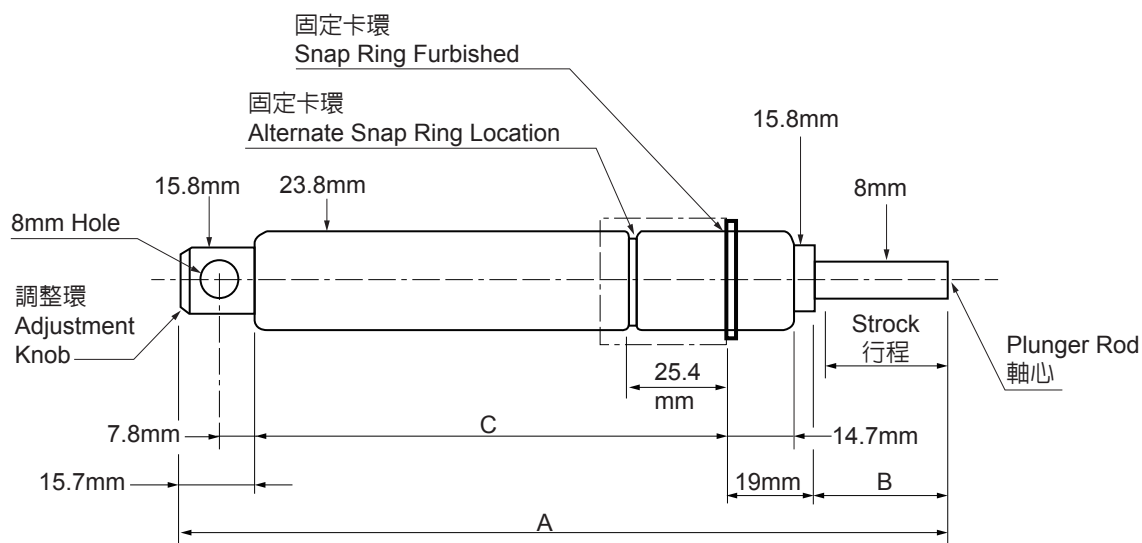
產品規格 SPECIFICATIONS

1 Model No. 型號	2 Description 類型	3 Stroke 行程 (mm)	4 Minimum Force 最低推力 (N)	5 Plunger Return Force 軸心回原點推力 (N)	6 Time for Plunger Return 軸心回原點時間 (sec/秒)	7 Time for Full Stroke of Plunger at Slowest Adjustment 全行程最慢速度所花費時間 (sec/秒)		
						4400N Load 推力	2200N Load 推力	440N Load 推力
1001-31-1/2	extra fast	12.7	22.7	18	0.015	0.5	1	5
1003-31-1/2	fast	12.7	22.7	18	0.020	4	9	50
1002-31-1/2	standard	12.7	22.7	18	0.031	8	18	150
1004-31-1/2	slow speed	12.7	22.7	18	0.186	38	90	750
1001-31-1	extra fast	25.4	22.7	18	0.030	1	2	10
1003-31-1	fast	25.4	22.7	18	0.041	8	18	100
1002-31-1	standard	25.4	22.7	18	0.063	15	35	300
1004-31-1	slow speed	25.4	22.7	18	0.378	75	180	1500
1001-31-2	extra fast	50.8	22.7	18	0.052	2	5	20
1003-31-2	fast	50.8	22.7	18	0.070	15	35	200
1002-31-2	standard	50.8	22.7	18	0.106	30	70	600
1004-31-2	slow speed	50.8	22.7	18	0.730	150	180	3000
1001-31-3	extra fast	76.2	22.7	18	0.115	3	7	30
1003-31-3	fast	76.2	22.7	18	0.155	23	55	300
1002-31-3	standard	76.2	22.7	18	0.235	45	105	900
1004-31-3	slow speed	76.2	22.7	18	1.620	225	540	4500

5200# 美國白馬穩速器 DESCHNER KINECHEK SPEED REGULATOR

尺寸/重量 DIMENSIONS AND WEIGHTS

Model No.	Stroke	Weight	A	B	C
1__-31-1/2	12.7 mm	0.34 kg	160.8 mm	17.5 mm	108.7 mm
1__-31-1	25.4 mm	0.40 kg	198.9 mm	30.1 mm	134.1 mm
1__-31-2	50.8 mm	0.52 kg	276.1 mm	55.5 mm	185.7 mm
1__-31-3	76.2 mm	0.62 kg	352.3 mm	81.0 mm	236.5 mm



KINECHEK SLIMLINE (MODEL 1__)