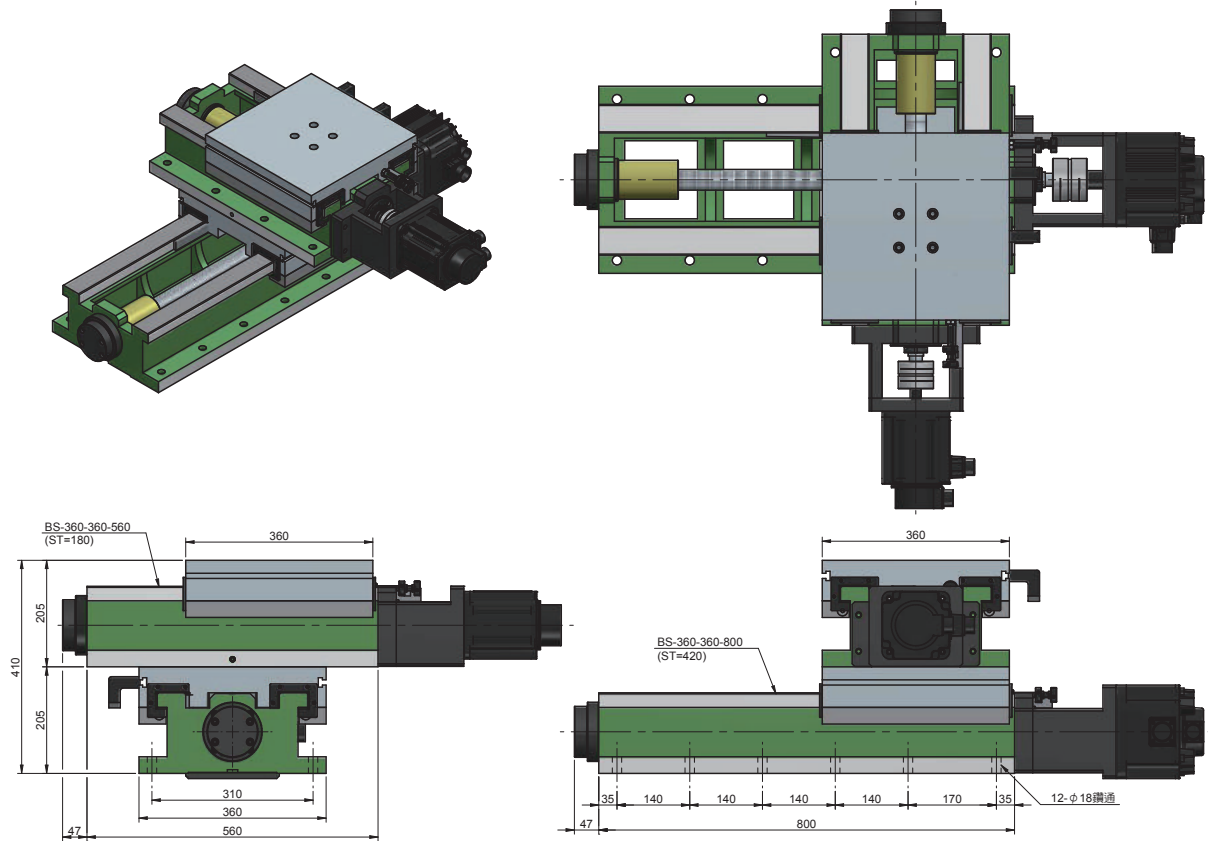
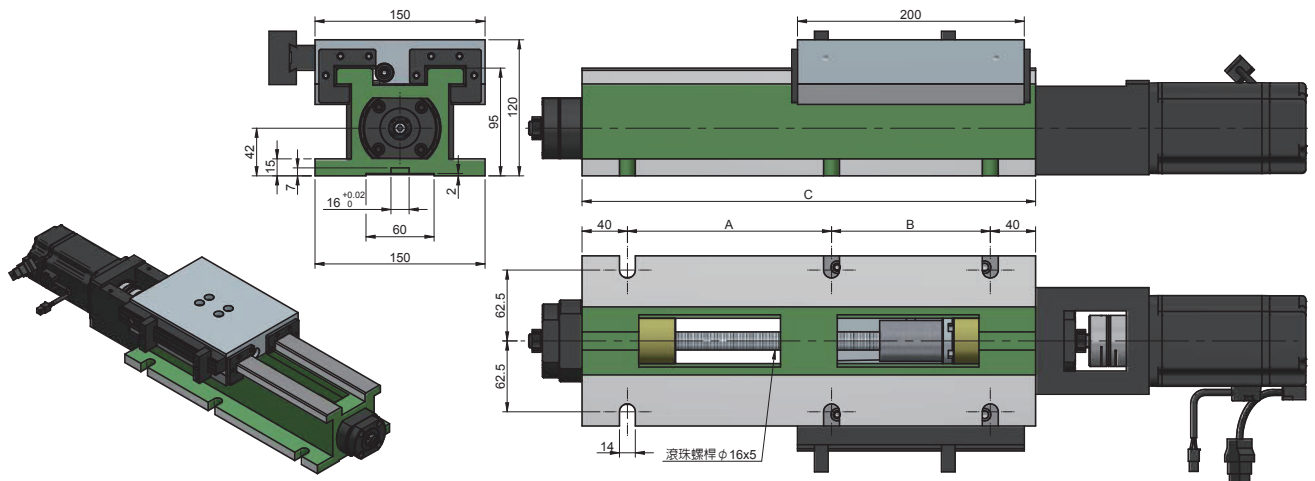


5088# 十字滑台 (CBB-360) Cross Servo Slide With Hardness Guideway and Ball Screws



5089# 伺服硬軌滾珠滑台 (150) 上蓋滑道均貼耐磨片 With Turcite for Guideway Servo Slide With Hardness Guideway and Ball Screws (150)



單位：mm

規格 Model	A	B	C	行程 Travel	重量 Weight
BS150-200/300	220	-	300	80	37
BS150-200/400	180	140	400	180	45

※重量不含伺服馬達