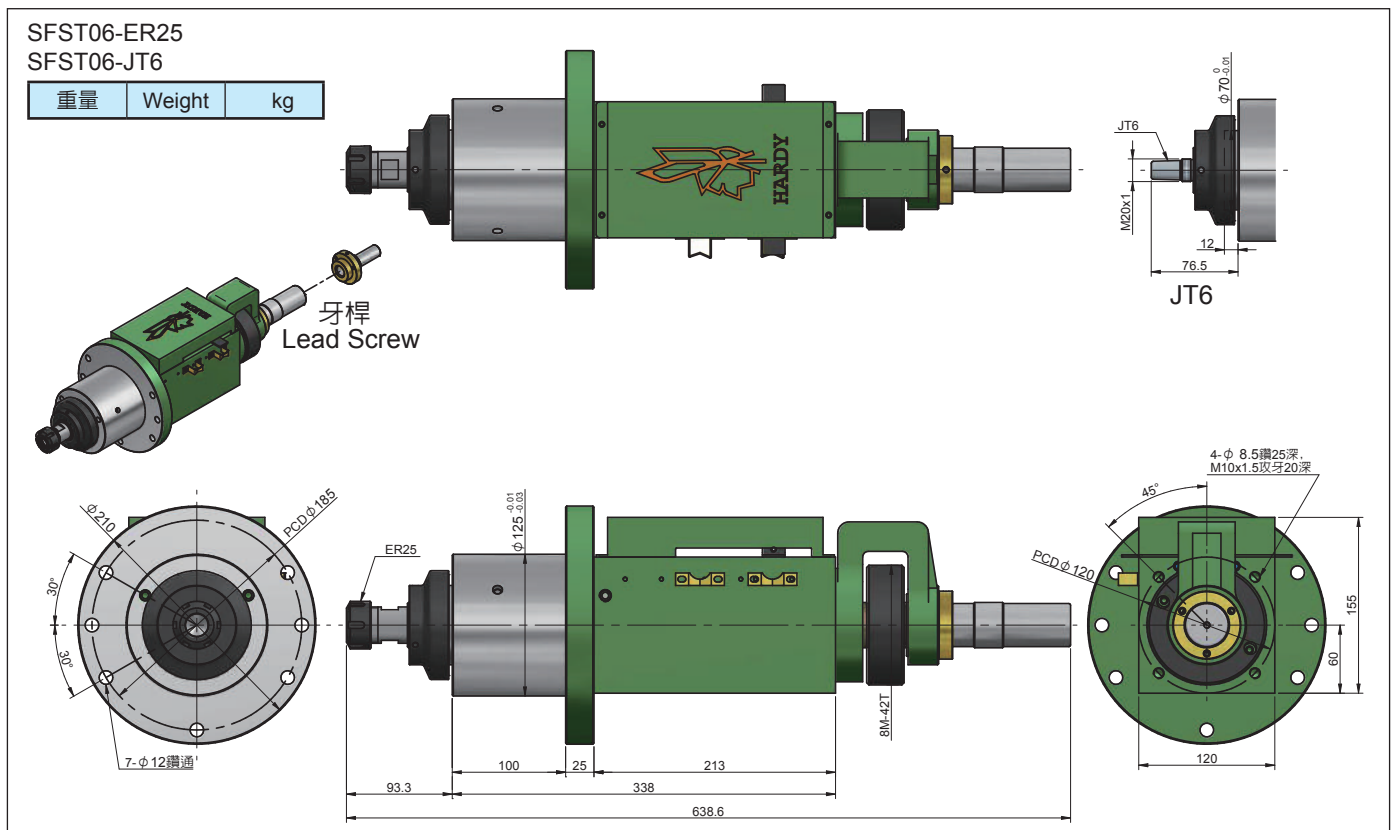


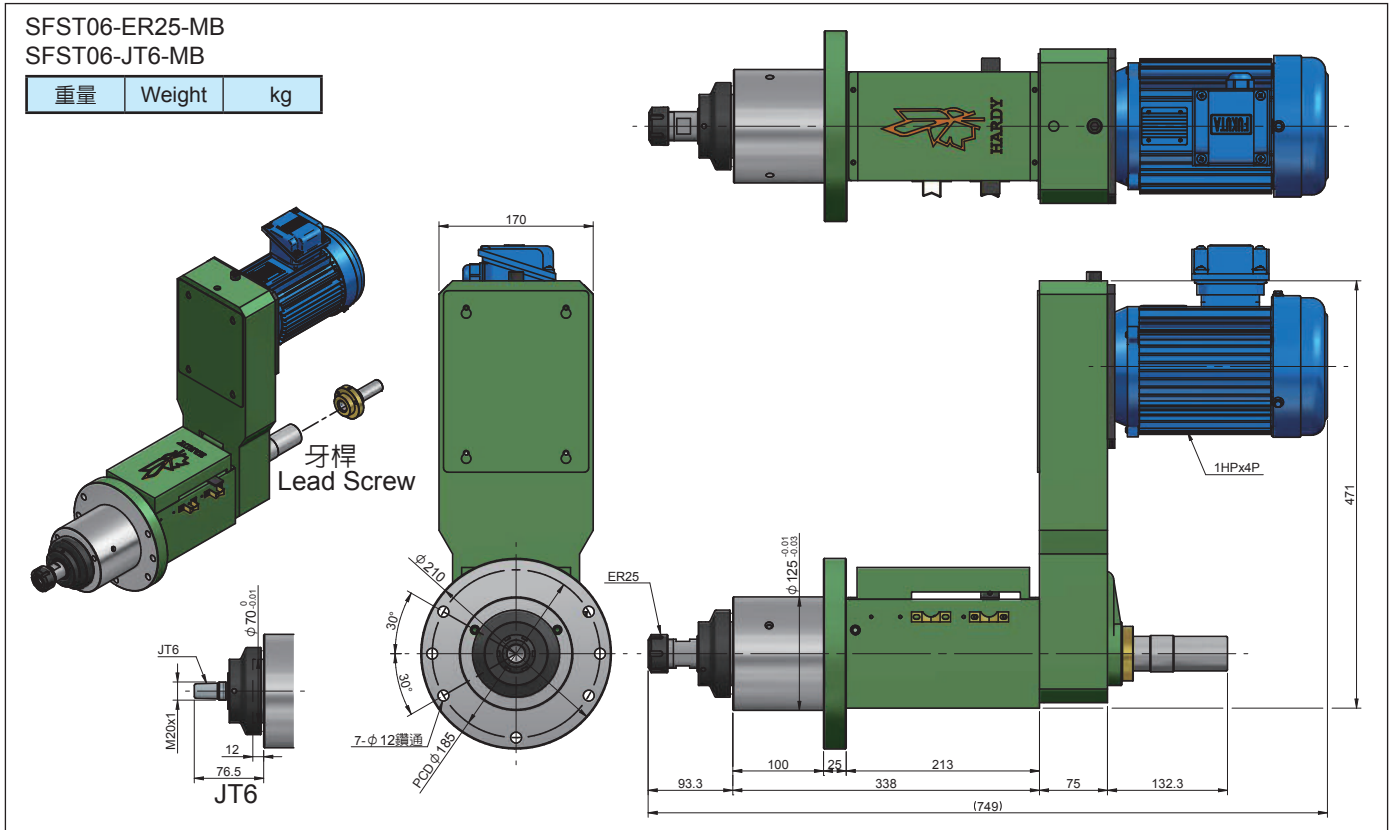
5017# SFST06-65 水車攻牙動力頭(牙桿傳動) (大陸專利號 : 7529700)
 Tapping Spindle Head /Flange Type/Lead Screw Transmission
 (SIPO Patent No. 7529700)

| 規格 | Model | SFST06 |
|-------|------------------------|--------------------------------------|
| 攻牙能力 | Tapping Capacity(S45C) | M12 |
| 最大行程 | Max. Stroke | 65mm |
| 螺旋導程 | Thread Guide Pitch | 0.4~2.0mm |
| 馬力 | Horsepower, 3 Phase | 1HP×4P |
| 主軸皮帶輪 | Spindle Pulley | 8M-42T |
| 主軸軸承 | Spindle Bearing | 6006Z×1, 6005Z×1 32006×1, 32005×1 |
| 皮帶輪軸承 | Pulley Bearing | 6006ZZ×3 |
| 前蓋油封 | Front Cover Seal | TC70-90-12×1 |
| 前蓋O型環 | Front Cover O-ring | G70×1 / G40 (G48-HSK40)×1 |
| 主軸油封 | Spindle Seal | TC45-60-7×1 |
| 活塞O型環 | Piston O-ring | P70×2 |

Roundness: $\leq 0.003\text{mm}$



5017# SFST06-65 水車攻牙動力頭(牙桿傳動) (大陸專利號：7529700)
 Tapping Spindle Head /Flange Type/Lead Screw Transmission (SIPO Patent No. 7529700)



可接受特殊規格動力頭訂製
 We accept Special Spindle Unit Order

