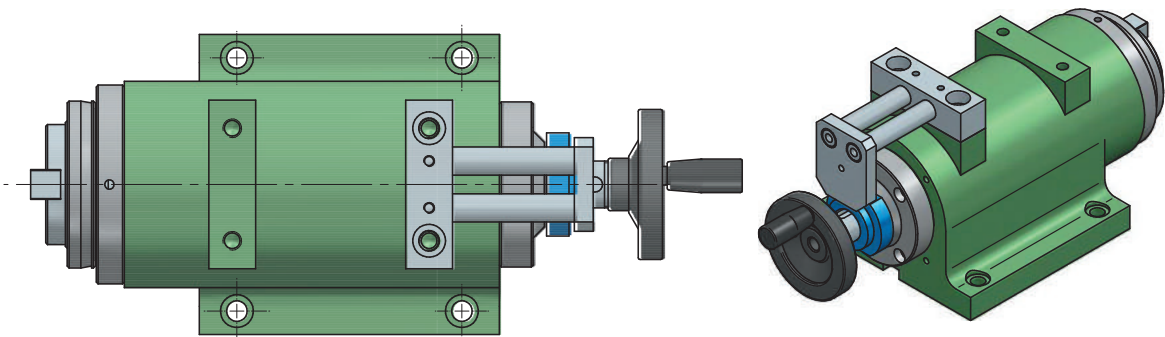


5044# **A級精度檢測主軸頭**  
**Precision Test Spindle**

規格	Model	SR35-NT30-T	SR45-NT40-T	SR80-NT50-T
主軸	Spindle	NT30 or BT30	NT40 or BT40	NT50 or BT50
真圓度	Roundness	Within 0.002mm 內		



SR35-NT30-T  
 SR45-NT40-T  
 SR80-NT50-T



可接受特殊規格動力頭訂製  
We accept Special Spindle Unit Order

